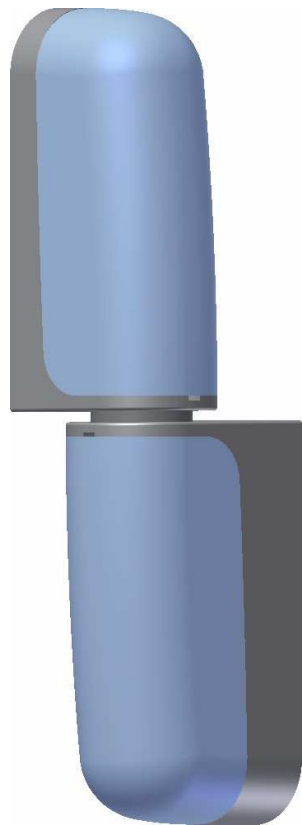


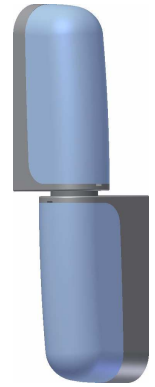


FLAG HINGES

HINGES
FOR
COLD
ROOMS

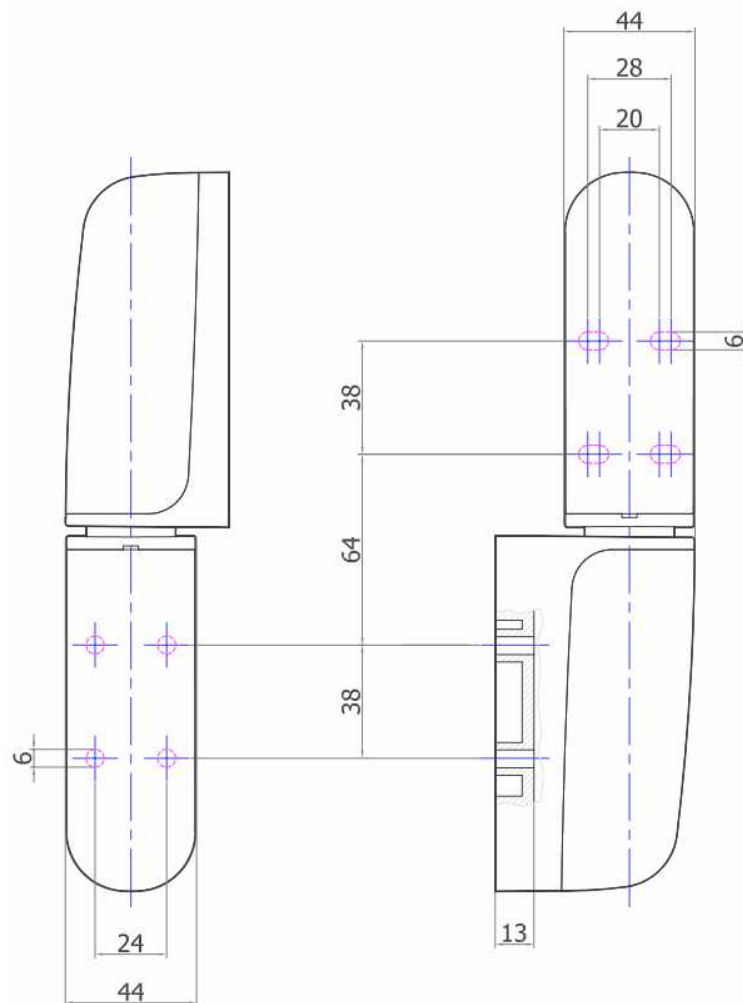


technical & dimensions

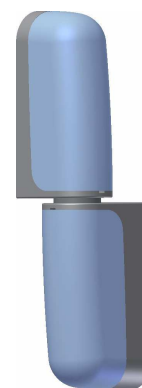


Hinges manufactured in reinforced raw material

- Interchangeability left/right
- Adjustable in vertical and depth directions
- Modular shims
- Ramp in self-lubricating material
- Available in standard (STD) and medium (MD) models



dimensions



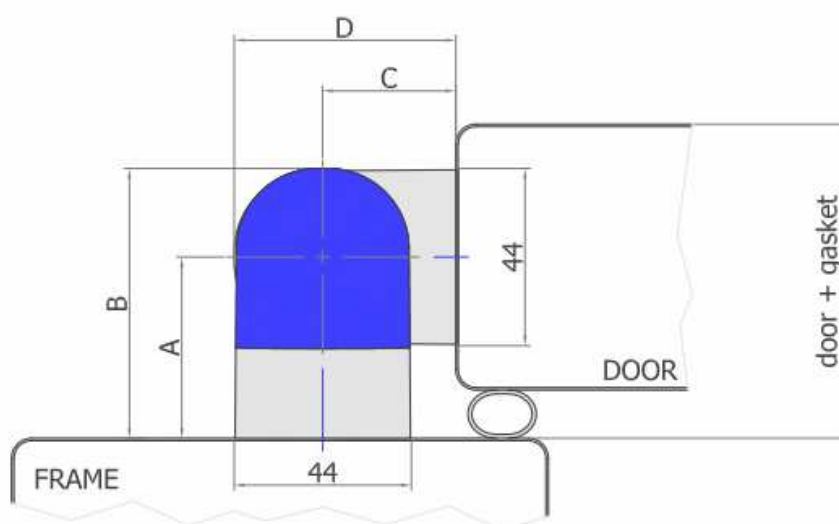
Adjustments

- vertical with self-locking nut: 25 mm
- depth: ± 2 mm

Ramp overall rising: 8 mm

Shim thickness: 5 mm

model	body dimensions				door + gasket thickness (with no shims) mm
	fixed body		rotary body		
	mm	mm	mm	mm	
STD	A*	B*	C	D	67 ÷ 90
MD	55	77	33	55	77 ÷ 110



* A and B dimensions raising + 5 mm each shim





coni technic srl

Via Podgora, 34/36
20813 Bovisio-Masciago (MB)
Italy

For more information please contact us at:

info@conigroup.it

Visit our website:

www.conigroup.it

